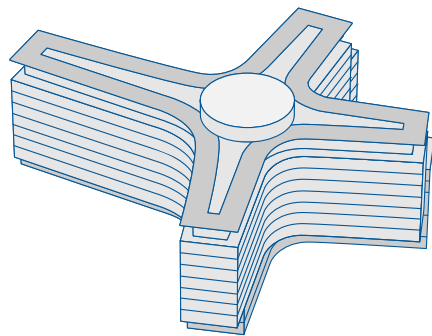


Role and structure of the European Commission

#EBDGratik



Year established: 1958
Seat: Brussels, Belgium

Structure

Political leadership



Ursula von der Leyen: President

College of 26 Commissioners Special position



Frans Timmermans:
Executive Vice-President for the
European Green Deal



Margrethe Vestager:
Executive Vice-President for
a Europe Fit for the Digital Age



Valdis Dombrovskis: Executive
Vice-President for an Economy that Works
for People and, ad interim, for Trade



Josep Borrell: EU High Representative for
Foreign Affairs and Security Policy, one of
the five other Vice-Presidents and Chair of
the Foreign Affairs Council (except trade
composition)

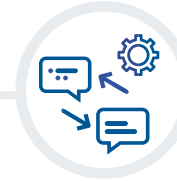
Administration & Representation

55 Directorates-General, executive agencies and
other departments

Representations of the European Commission
in the Member States

Role

Proposing new legislation



Example: Proposals for the European Green Deal,
e.g. in March 2020 Proposal for the Council and
European Parliament on the European Climate Law

Administration: implementing EU strategies and allocating funding



Example: around 80% of EU funds are allocated
through programmes co-managed by the
Commission and the Member States, such as the
education and exchange programme **Erasmus+**
and the research programme **Horizon Europe**

Control: enforcing EU law and imposing sanctions for infringements



Example: opening an infringement procedure at the
European Court of Justice against EU Member States
that failed to implement EU law

Overview of current procedures:
[https://ec.europa.eu/info/law/law-making-process/
applying-eu-law/infringement-procedure_de](https://ec.europa.eu/info/law/law-making-process/applying-eu-law/infringement-procedure_de)

Representing the EU at international level



Example: Commission negotiates EU trade
agreements and represents the EU in many
international organisations, such as in the
World Trade Organisation (WTO)

How to influence Commission policies

- Participation in **public consultations** on planned initiatives
and on-going issues
- Launching a **European citizens' initiative** on a subject to
be dealt with by the Commission
- Making a **formal complaint**
when EU law is not correctly applied